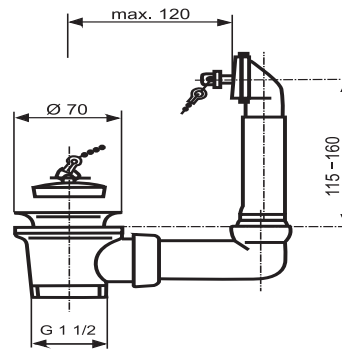
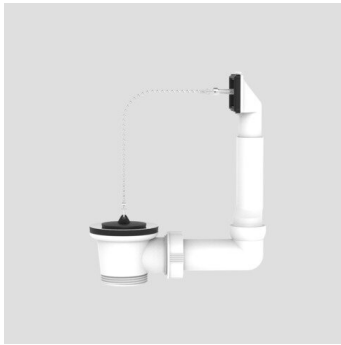


32.040.00..0000

SANIT waste + overflow assembly G1 1/2 without hose tap



Item number

32.040.00..0000

Product description

Waste and overflow assembly G1 1/2

Plastic, with stainless steel outlet, plug, pearl chain and chain holder for single sinks, without hose tap, packed in a plastic bag