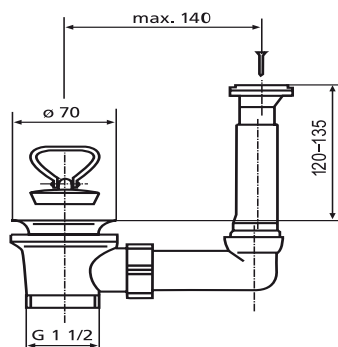
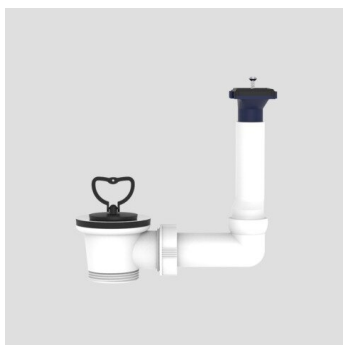


32.051.00..0000

## SANIT waste + overflow assembly G1 1/2



### Item number

32.051.00..0000

### Product description

Waste and overflow assembly G1 1/2 plastic, with stainless steel outlet and plug with plastic handle, for single sinks, overflow with seal and fastening screw, without stainless steel grid, packed in a plastic bag