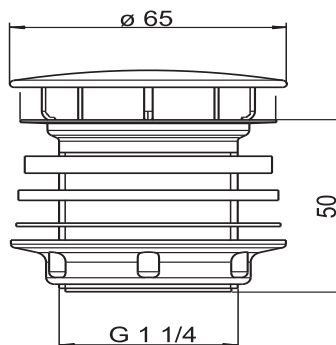


30.005.00..0000

## SANIT Permanent waste valve G1 1/4x65x50



### Item number

30.005.00..0000

### Product description

Permanent waste valve G1 1/4 x 65 x 50 mm  
waste valve stainless steel/plastic, chromium plated cover plate, with inserted strainer for washbasins, packed in a plastic bag