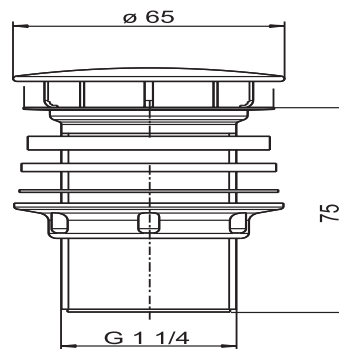


30.006.00..0000

SANIT Permanent waste valve G1 1/4x65x75



Item number

30.006.00..0000

Product description

Permanent waste valve G1 1/4 x 65 x 75 mm
waste valve stainless steel/plastic, chromium plated cover plate, with inserted strainer for wash basins, packed in a plastic bag