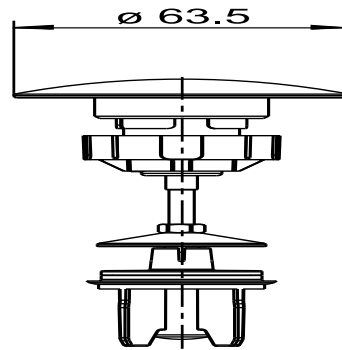


30.022.00..0000

SANIT slotted valve 1 1/4"x63x70, W/O overflow



Item number

30.022.00..0000

Product description

Push open cartridge valve for waste and overflow kit INEO FLUX suitable for waste and overflow kit INEO FLUX, upper part chrome-plated, packed in a box