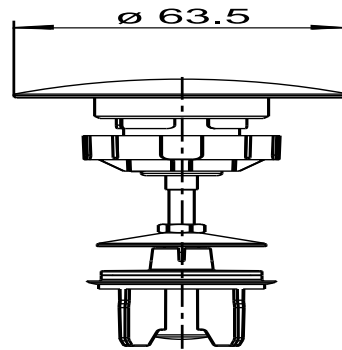


30.025.00..0000

SANIT slotted valve 1 1/4"x63x70, W/O overflow



Item number

30.025.00..0000

Product description

Push open cartridge valve for waste and overflow kit INEO FLUX suitable for waste and overflow kit INEO FLUX, upper part polished stainless steel, packed in a box