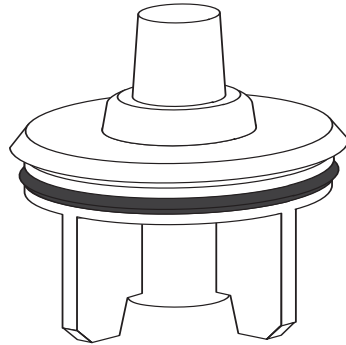


05.196.00..0000

SANIT Valve plug INEO FLUX, mounted



Item number

05.196.00..0000

Product description