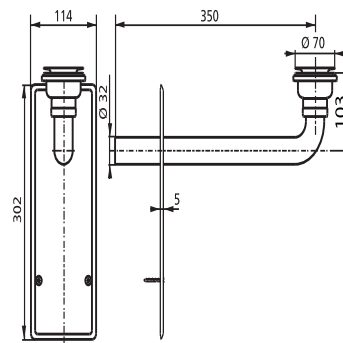


03.514.00..0000

SANIT Finish set for concealed trap stainless steel



Item number

03.514.00..0000

Product description

Finishing set for height adjustable concealed trap consisting of: outlet bend d:32 x 350 mm made of chromium plated brass, stainless steel cover plate and waste valve G1 1/4 x 70 mm, valve screw 70 mm, for height adjustable concealed trap code no. 31.608.00..0000, packed in a plastic bag