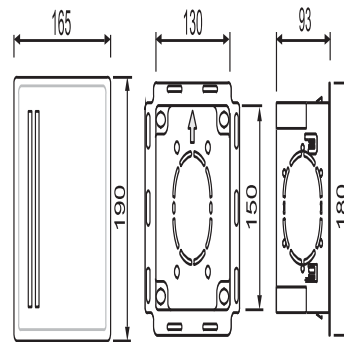


17.270.01..S099

## SANIT Built-in wall box for Air adm.valve DN 30-50



### Item number

17.270.01..S099

### Product description

Built-in wall box suitable for ventilair DN 30-50, ventilair duplex DN 30-50, ventilair G1 1/2 DN 40/50, ventilair duplex G1 1/2 DN 40/50  
box dimensions wxhxd=130x150x93 mm, suitable for brick wall and drywall installation, box depth adjustable by maximum 65 mm, mounting frame with distance bolts for cover plate, polystyrene protection block, plastic cover plate, UV resistant, wxh=165x190 mm, alpine white