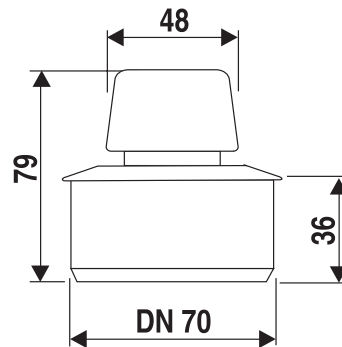


11.A03.00..0099

## SANIT Air adm.valve for individual objects DN 70



### Item number

11.A03.00..0099

### Product description

Air-admittance valves DN 70 for the ventilation of individual objects according to DIN EN 12380 type class A II, volume flow 2 l/s to 3.3 l/s, temperature range 0degC to +60degC