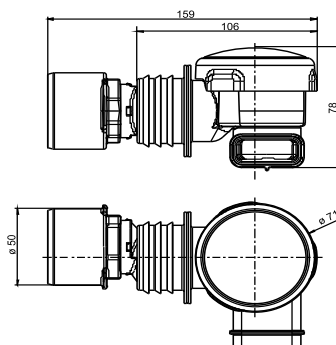


11.030.00..0099

SANIT air-admittance valve set DN 30-50



Item number

11.030.00..0099

Product description

Air-admittance valve set for horizontal connection in cistern CC-121 type-tested and monitored in accordance with DIN EN 12380, volume flow can be used for one complete bath unit, with rubber connector for the di-mensions stated Note: Assembly only from series status 5 with CC-121