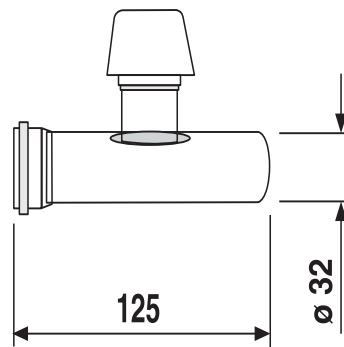


03.090.00..0000

SANIT Extension pipe with sleeve + Air adm.valve 32x125



Item number

03.090.00..0000

Product description

Extension pipe with sleeve for the ventilation of individual objects
L = 125 mm, d:32 mm, chrome-plated brass, with high-gloss chrome-plated
G 1/2 air admittance valve, tested to DIN EN 12380, type class A II,
volume flow 2 l/s, temperature range 0degC to +60degC