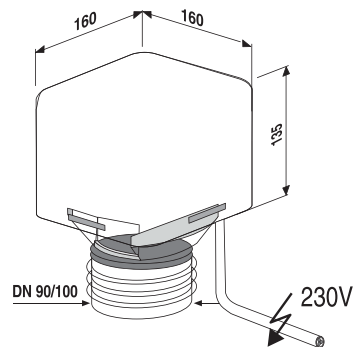


11.026.00..0099

## SANIT ventilair air adm. valve outdoor use heated black



### Item number

11.026.00..0099

### Product description

ventilair air-admittance valve for outdoor use, heated, black  
with integrated, self-regulating thermostat suitable for DN 90/100 and d:113 to 127 mm  
heating band specifications: switches on automatically at +5degC, for use up to - 40degC, completely watertight, 1 m  
silicone connection cable, double insulated, highly flexible, for direct connection to 230V AC, 40 W power