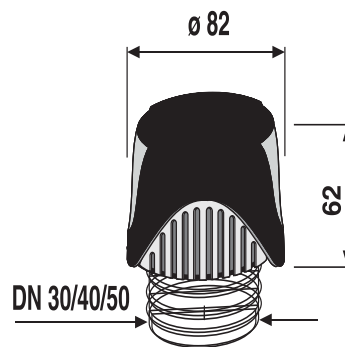


11.A20.00..0099

SANIT ventilair Air adm.valve DN 30-50



Item number

11.A20.00..0099

Product description

ventilair air-admittance valve suitable for DN 30/40/50
type-tested and monitored in accordance with DIN EN 12380 by TÜV Rheinland LGA Products GmbH, type class A I,
volume flow 8 l/s, temperature range -20degC to +60degC, with polystyrene frost protection cover, with rubber
connector for the dimensions stated