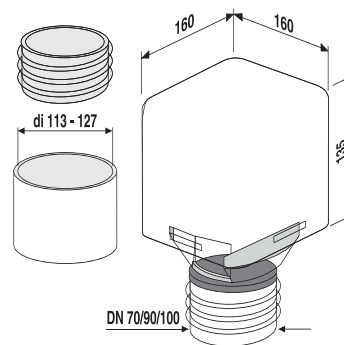


11.A23.00..0099

SANIT ventilair Air adm.valve outdoor use unheated red



Item number

11.A23.00..0099

Product description

ventilair air-admittance valve for outdoor use, unheated, brick-red
 suitable for DN 70/90/100 and d:113 to 127 mm, for replacing open waste water pipe vents in locations where disturbing odours arise from freely vented downpipes, e.g. on roof terraces, next to dormer windows, skylights and roof windows on gable roofs, on terraces and balconies, etc.
 type-tested and monitored in accordance with DIN EN 12380 by TÜV Rheinland LGA Products GmbH, type class A I, volume flow 24 l/s, temperature range -20degC to +60degC, with integrated polystyrene frost protection cover and additional protective cover made from UV light resistant plastic, with rubber connectors for the stated dimensions