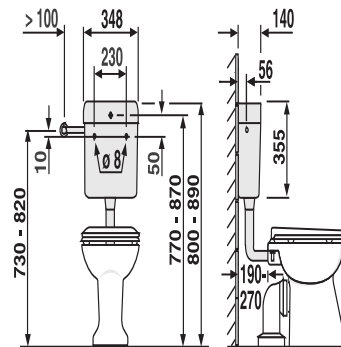


91.A01.66..0099

SANIT Cistern junior with angle valve manhattan



Item number

91.A01.66..0099

Product description

Cistern junior with angle valve G 1/2

a low-level cistern with a flushing capacity of 6 litres, insulated against condensation, with start-stop technology, 3-side connection and low-noise fill valve

supplied with: cistern junior, with angle valve G 1/2, chromium-plated connection pipe, flush pipe bend and flush pipe connector, fastening and mounting instructions, packed in a box

Colour: manhattan

cistern tested to DIN EN 14055, KIWA, Noise Class I