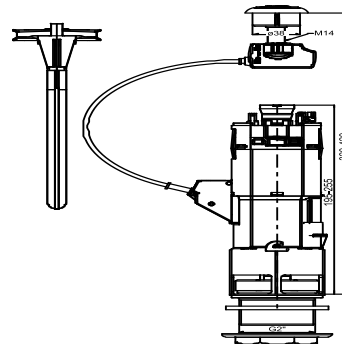


93.606.81..0000

SANIT Flush valve INEO 2V for ceramic cistern



Item number

93.606.81..0000

Product description

Dual flush valve INEO for ceramic cisterns with lid fixation

for initial fitting or replacement of close-coupled ceramic cisterns with dual flush technology (9/3 or 6/3 litres), flexible cable flush actuation, full and partial flush volume infinitely adjustable between 9 and 6 litres and 4.5 and 3 litres respectively, variable installation height of 320 to 420 mm, push-button countersunk in lid or mounted on lid, suitable for hole diameters of 18 and 38 mm

supplied with: dual flush mechanism with safety catch for the cistern lid, chrome-plated push-button and rosette, fixing set for attaching cistern to WC, installation instructions, packed in a box