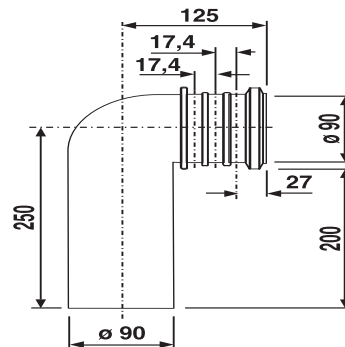


58.908.00..0000

## SANIT WC connection bend 90deg DN90 3 space



### Item number

58.908.00..0000

### Product description

WC connecting 90 deg., DN 90, 3 spaces adjustable in PE plastic black, for welding to PE-pipe or inserting into another waste pipe, with protection plugs, packed in a plastic bag

tested to DIN 1389

Accessories:

- reducing sleeve DN 90/DN 100 code no. 58.211.00..0000