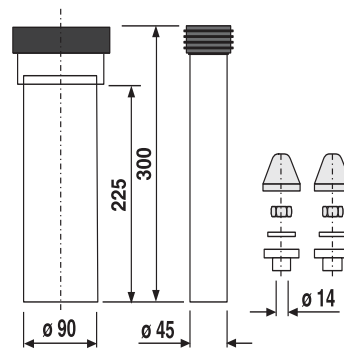


58.932.00..0099

## SANIT WC connection kit 300mm DN90 chrome



### Item number

58.932.00..0099

### Product description

WC connection kit 300 mm, DN 90

in PE plastic, weldable, for wall-hung WCs, comprising: WC connection pipe d: 45 mm with flush pipe connector, WC connector DN 90 and chrome cover-up accessories, packed in a plastic bag

tested to DIN 1389