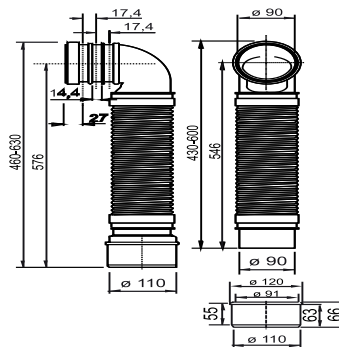


58.939.00..0000

SANIT WC connection pipe DN90/DN100 flexible 3 space



Item number

58.939.00..0000

Product description

WC connection pipe DN 90/DN 100, flexible, 3 spaces adjustable in PE plastic black, weldable, DN 90 connecting bend with flexible section and completely smooth inside surface, l = 460-630 mm, completely kink-proof design even at a 90deg angle, with DN 90/DN 100 adapter, can be fitted to waste pipe clips on concealed cisterns with a minimum diameter of 97 mm, slot width of 16 mm for mounting, for difficult concealed cistern installations and if the WC outlet is offset in the wall or floor, packed in a plastic bag

tested to DIN 1389 and DIN EN 476, 5.5