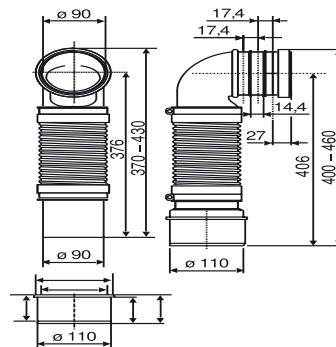
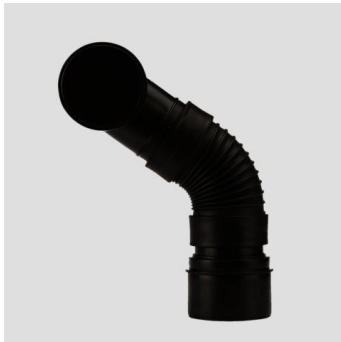


58.942.00..0000

SANIT WC connection pipe DN90/DN100 flexible short 3sp



Item number

58.942.00..0000

Product description

WC connection pipe, flexible, DN 90/DN 100, short, 3 spaces adjustable in PE plastic black, weldable, for difficult concealed cistern installations and if the WC outlet is offset in the wall or floor, with DN 90 to DN 100 adapter, l= 400-460 mm, packed in a plastic bag

tested to DIN 1389 and DIN EN 476, 5.5