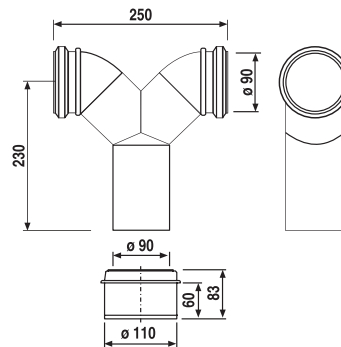
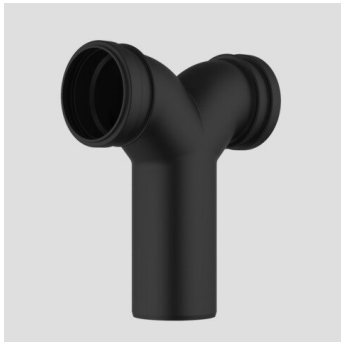


58.814.00..0000

## SANIT WC double bend 90deg DN90/90/90 straight



### Item number

58.814.00..0000

### Product description

Wall-hung WC double bend 90deg, DN 90/90/90, straight in PE plastic black, with seals and protection plugs, for vertical mounting, for welding to PE-pipe or inserting into another waste pipe

#### Accessories:

- reducing sleeve DN 90/DN 100 code no. 58.211.00..0000