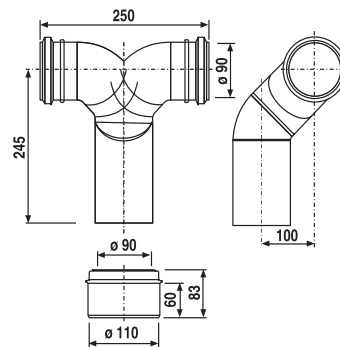


58.815.00..0000

SANIT WC double bend 90deg DN90/90/90 offset



Item number

58.815.00..0000

Product description

Wall-hung WC double bend 90deg, DN 90/90/90, offset
in PE plastic black, with seals and protection plugs, for horizontal mounting, for welding to PE-pipe or inserting into another waste pipe

Accessories:

- reducing sleeve DN 90/DN 100 code no. 58.211.00..0000