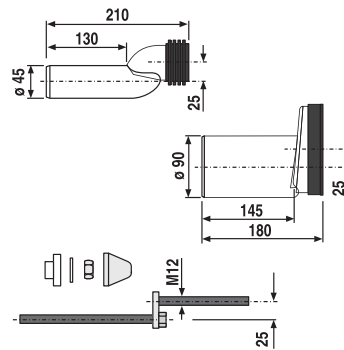


58.949.00..0099

## SANIT WC offset connection kit DN90 PE



### Item number

58.949.00..0099

### Product description

Offset WC connection kit DN 90  
 in PE plastic, weldable, for wall-hung WCs with concealed cisterns, offset by 25 mm, comprising: connection pipe d:45 mm with flush pipe  
 connector, DN 90 WC connector, WC fastenings M12, white cover-up  
 accessories, packed in a box  
 (special model with no guarantee)