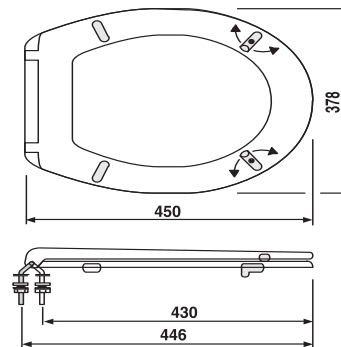


56.038.84..S099

SANIT WC seat 4002 (abumed) S/S hinges red



Item number

56.038.84..S099

Product description

WC seat 4002 (abumed)

thermoplastic heavy WC seat, designed for use by the elderly and suitable for use in elderly care homes, healthcare and hospital settings, 10-year guarantee against seat/lid breakage, with adjustable stainless steel hinges and quick-action mounting, stainless steel security set*, warm to the touch, easy cleaning due to completely smooth underside, lateral stability provided by 2 adjustable buffers, suitable for all standard floor-standing and wall-mounted WCs, packed in a box

Colour: red RAL 3003

Weight: 1.90 kg

tested to DIN 19516

* Accessories:

- socket wrench code no. 04.130.00..0000