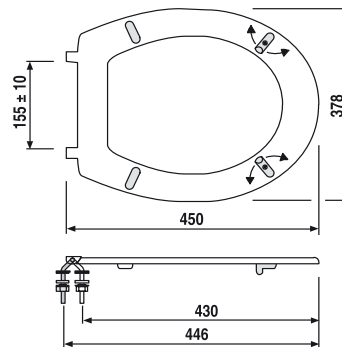


56.439.01..0000

SANIT WC seat 4002 without lid with axle stainless steel white



Item number

56.439.01..0000

Product description

WC seat 4002 without lid (abumed pur)

thermoplastic heavy WC seat, designed for use by the elderly and suitable for use in elderly care homes, healthcare and hospital settings, 10-year guarantee against seat breakage, with stainless steel hinges with support axle, warm to the touch, easy cleaning due to completely smooth underside, lateral stability provided by 2 adjustable buffers, suitable for all standard floor-standing and wall-mounted WCs, packed in a box

Colour: alpine white

Weight: 0.70 kg

tested to DIN 19516

Accessories:

- socket wrench code no. 04.130.00..0000