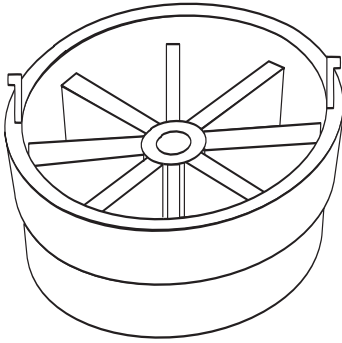


04.174.00..0000

# SANIT Flow regulator for conc and exp use



**Item number**

04.174.00..0000

**Product description**