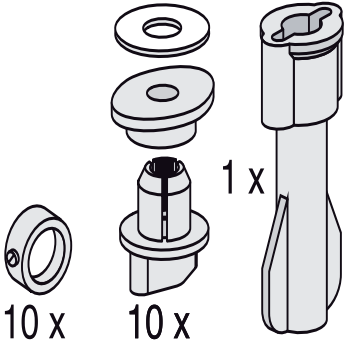
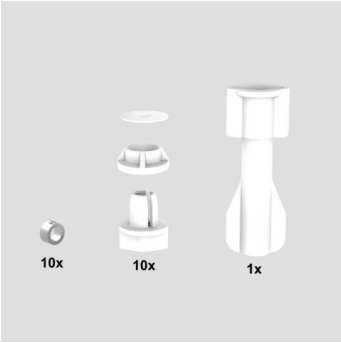


03.045.00..0000

### SANIT Fastening set M8 for 5 WC seats



Item number

03.045.00..0000

Product description