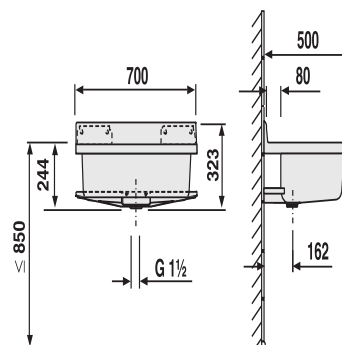


60.008.B6..0099

## SANIT maxi sink with standpipe+funnel granite



### Item number

60.008.B6..0099

### Product description

maxi sink with R2 standpipe and funnel

made of impact, temperature and weather resistant plastic, 10-year guarantee against breakage, capacity approx. 33 l, markings on the sink shelf and the bottom shelf for installation of soap dispenser\* and tap fitting\* (\*to be ordered separately), without overflow, strainer, plug and chain, but with plastic standpipe and funnel, waste valve G1 1/2, installation set with concealed fixing brackets and anthracite shelf, packed in a box

Colour: granite Internal dimensions of sink: w 620 mm x d 360 mm x h 210 mm