

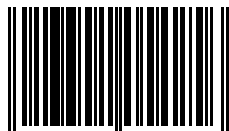
**Anschlussbogen, MS verchromt
mit Abdeckrosette chrom
zu Wandeinbau-Geruchverschluss**

Connection bend, chromium plated brass
with covering rosette chrome
for concealed trap

G 1¼ x 32 mm

03.069.00..0000

Made in Germany

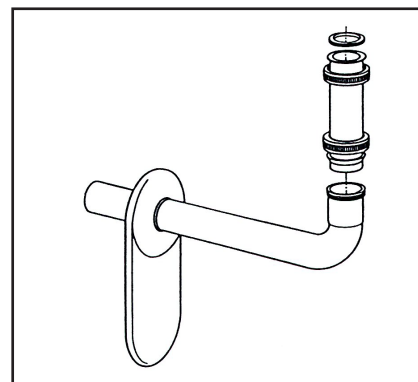


4 013341 054256



PM 015 64 0000

Version: 19102010



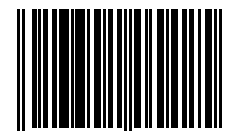
**Anschlussbogen, MS verchromt
mit Abdeckrosette chrom
zu Wandeinbau-Geruchverschluss**

Connection bend, chromium plated brass
with covering rosette chrome
for concealed trap

G 1¼ x 32 mm

03.069.00..0000

Made in Germany

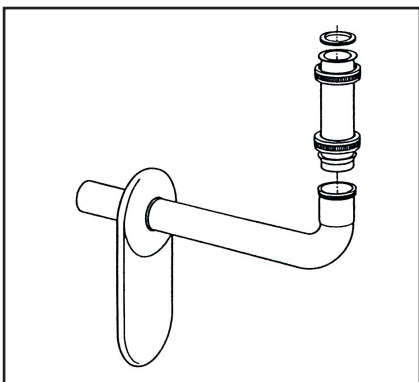


4 013341 054256



PM 015 64 0000

Version: 19102010



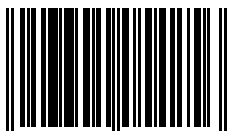
**Anschlussbogen, MS verchromt
mit Abdeckrosette chrom
zu Wandeinbau-Geruchverschluss**

Connection bend, chromium plated brass
with covering rosette chrome
for concealed trap

G 1¼ x 32 mm

03.069.00..0000

Made in Germany

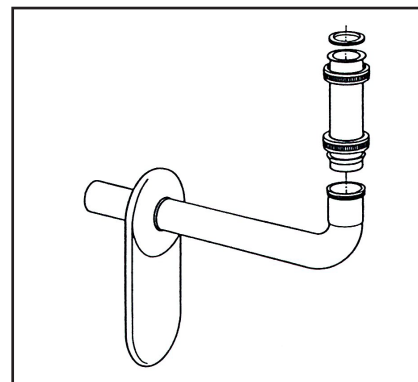


4 013341 054256



PM 015 64 0000

Version: 19102010



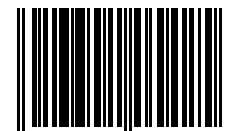
**Anschlussbogen, MS verchromt
mit Abdeckrosette chrom
zu Wandeinbau-Geruchverschluss**

Connection bend, chromium plated brass
with covering rosette chrome
for concealed trap

G 1¼ x 32 mm

03.069.00..0000

Made in Germany



4 013341 054256



PM 015 64 0000

Version: 19102010