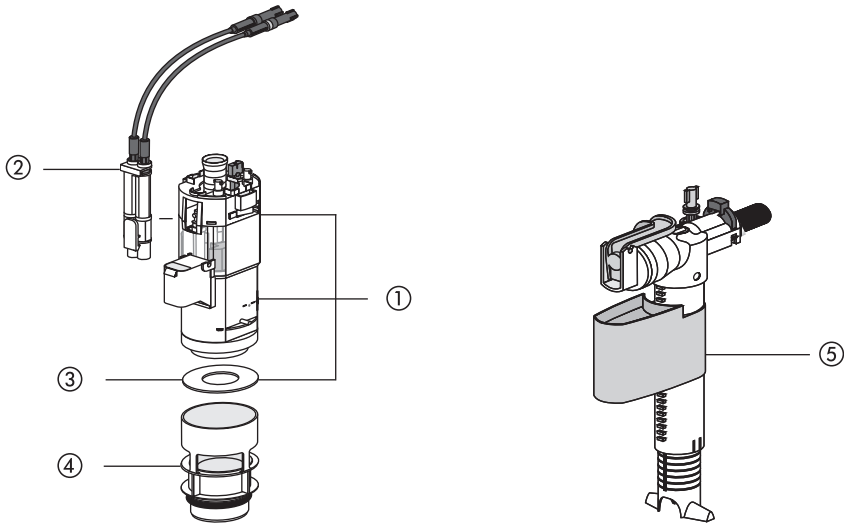


| Nr. | Bezeichnung | Art.-Nr. | Unverb. Richtpreis/€ |
|-----|---|-----------------|----------------------|
| 1 | Ablaufarmatur Umrüstset INEO UPDATE | 05.205.00..0000 | |
| 2 | Baugruppe Kabelbox (380 mm) | 05.206.00..0000 | |
| 3 | Dichtring $\varnothing 31 \times \varnothing 63 \times 2,8$ | 02.754.00..0000 | |
| 4 | Bodenventil INEO UPDATE mit Dichtring | 05.207.00..0000 | |
| 5 | Universal Füllventil | 25.001.00..0000 | |
| | | | |



| No. | Name | Code No. | Recommended price/€ |
|-----|--|-----------------|---------------------|
| 1 | Flush valve für conversion set INEO UPDATE | 05.205.00..0000 | |
| 2 | Cable box (380 mm) | 05.206.00..0000 | |
| 3 | Sealing ring d: 31 x d: 63 x 2.8 | 02.754.00..0000 | |
| 4 | Bottom valve INEO UPDATE with sealing ring | 05.207.00..0000 | |
| 5 | Universal fill valve | 25.001.00..0000 | |
| | | | |