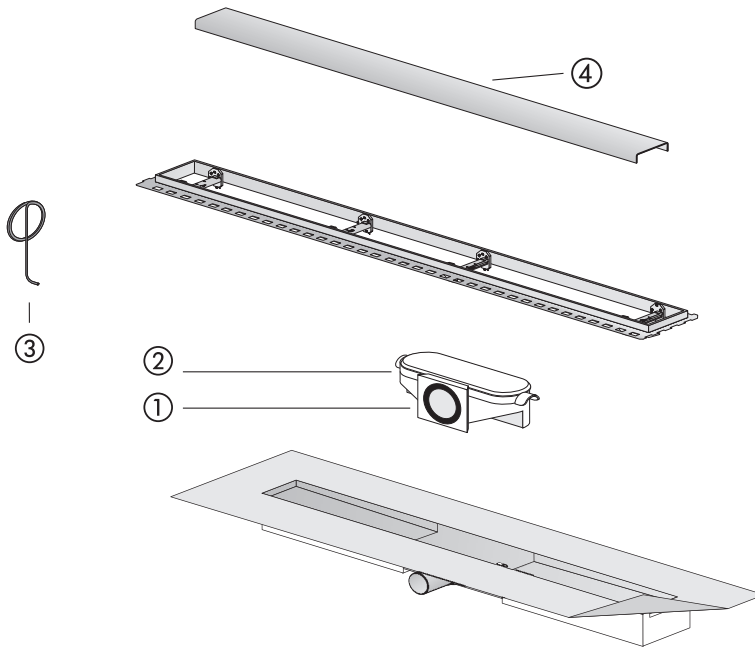
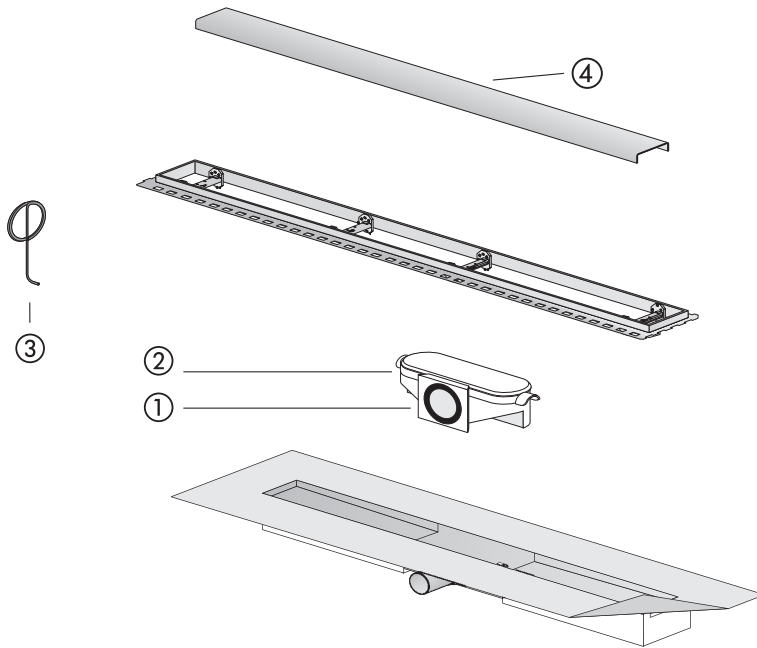


Duschrinne ES50 höhenverstellbar ab Baujahr 2019



| Nr. | Bezeichnung  | Art.-Nr.  | Unverb. Richtpreis/€ |
|-----|--|---|----------------------|
| 1   | Geruchverschluss-Einsatz, GV 82 mm                           | 03.647.00..0000                                       |                      |
| 2   | Geruchverschluss-Einsatz, GV 62 mm                           | 03.886.00..0000                                       |                      |
| 3   | Rostheber  | 04.236.00..0000                                       |                      |
| 4   | Rost 750/50/11 mm<br>Rost 950/50/11 mm<br>Rost 1150/50/11 mm | 04.230.00..0000<br>04.231.00..0000<br>04.232.00..0000 |                      |
|     |  |   |                      |

**Shower channel ES50 height adjustable from year of manufacture 2019 on**



| No. | Name                  | Code No.        | Recommended price/€ |
|-----|-----------------------|-----------------|---------------------|
| 1   | Trap insert, GV 82 mm | 03.647.00..0000 |                     |
| 2   | Trap insert, GV 62 mm | 03.886.00..0000 |                     |
| 3   | Grid lifter           | 04.236.00..0000 |                     |
| 4   | Grid 750/50/11 mm     | 04.230.00..0000 |                     |
|     | Grid 950/50/11 mm     | 04.231.00..0000 |                     |
|     | Grid 1150/50/11 mm    | 04.232.00..0000 |                     |
|     |                       |                 |                     |