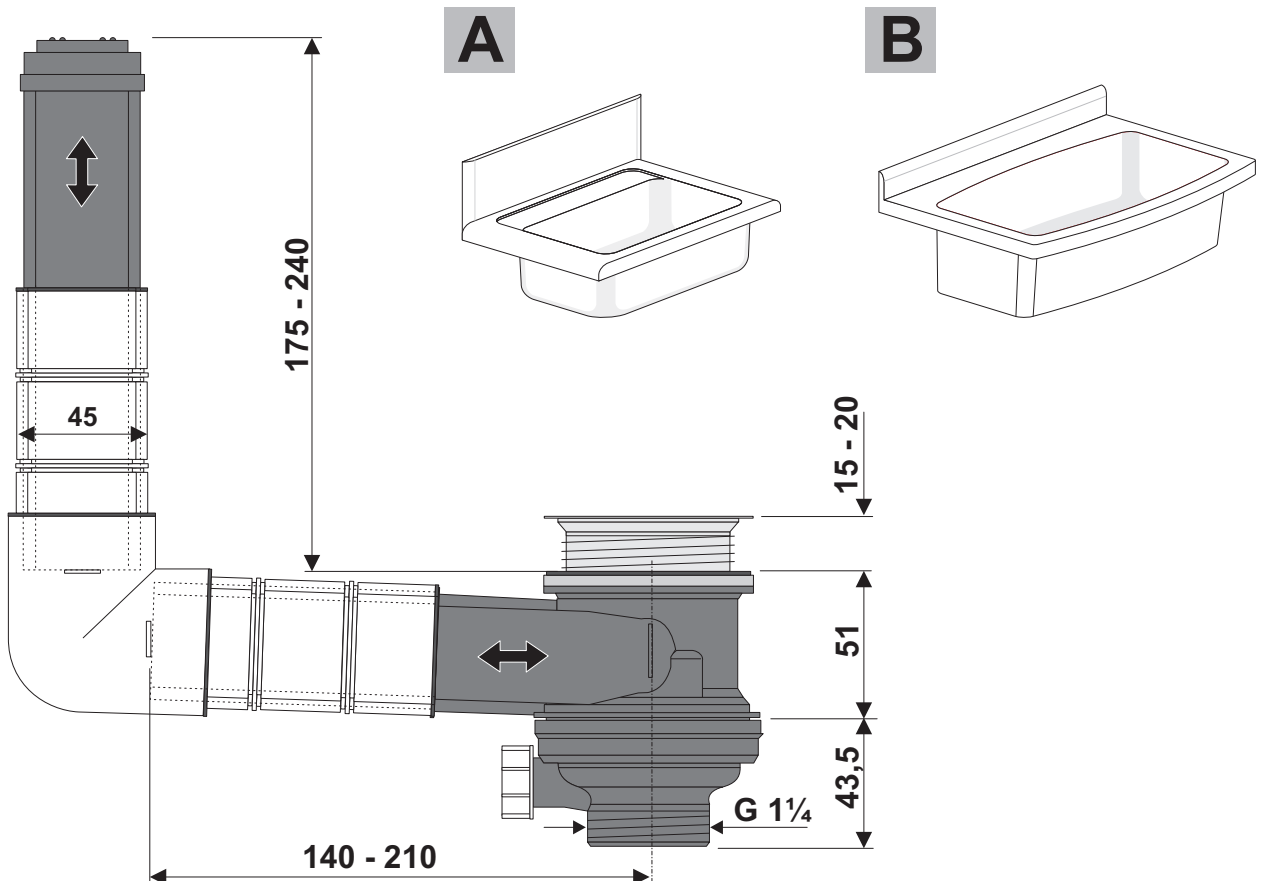
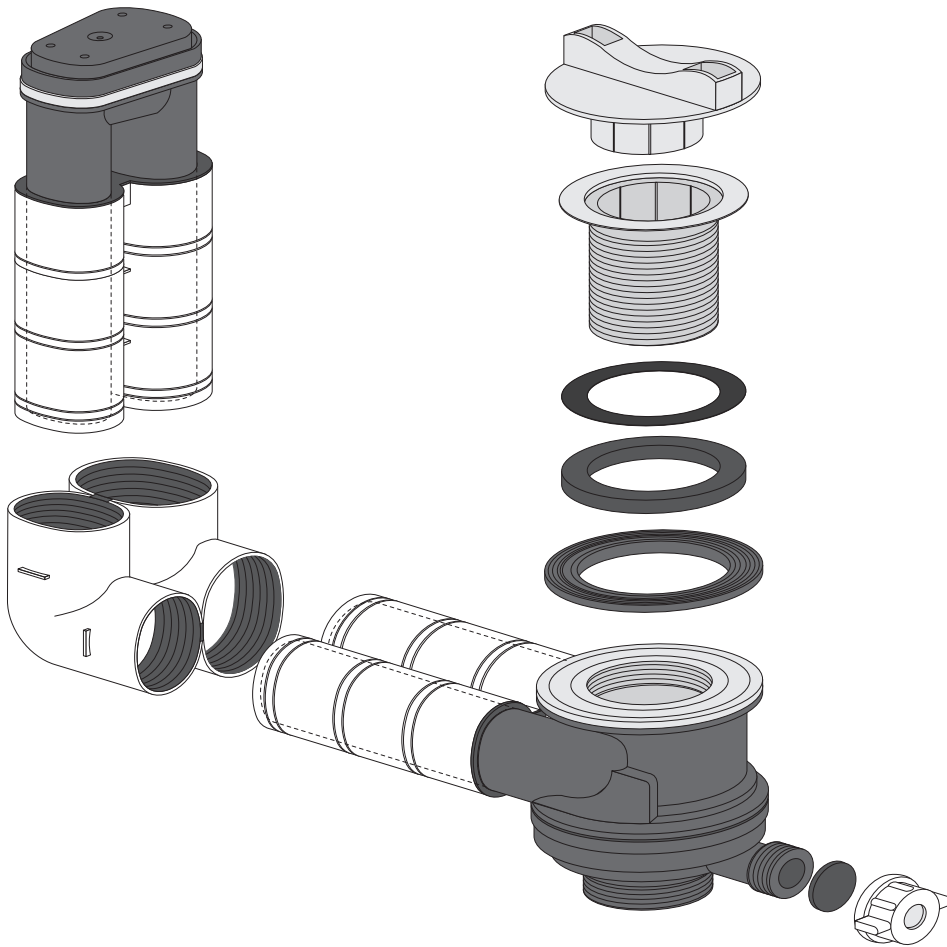
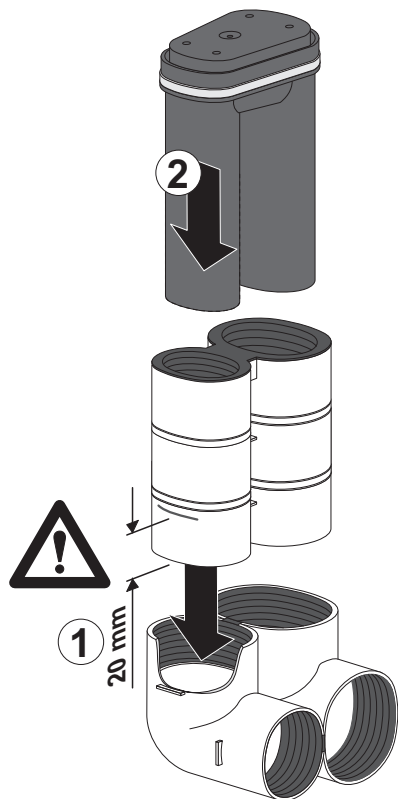


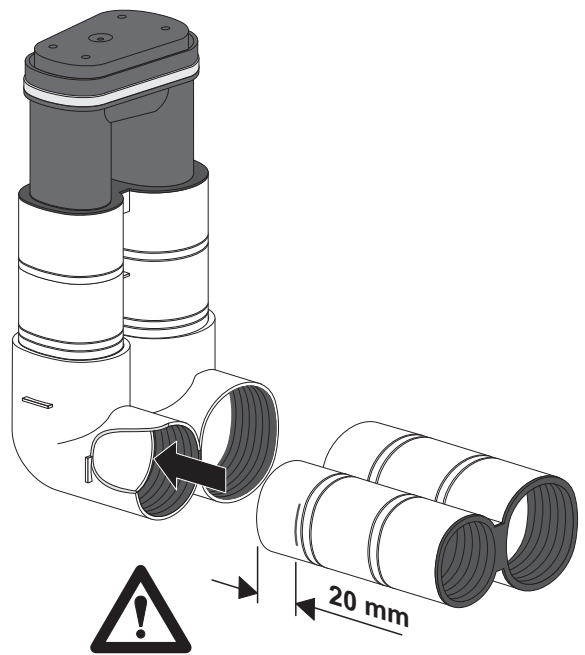
INEO-FLUX SANIT



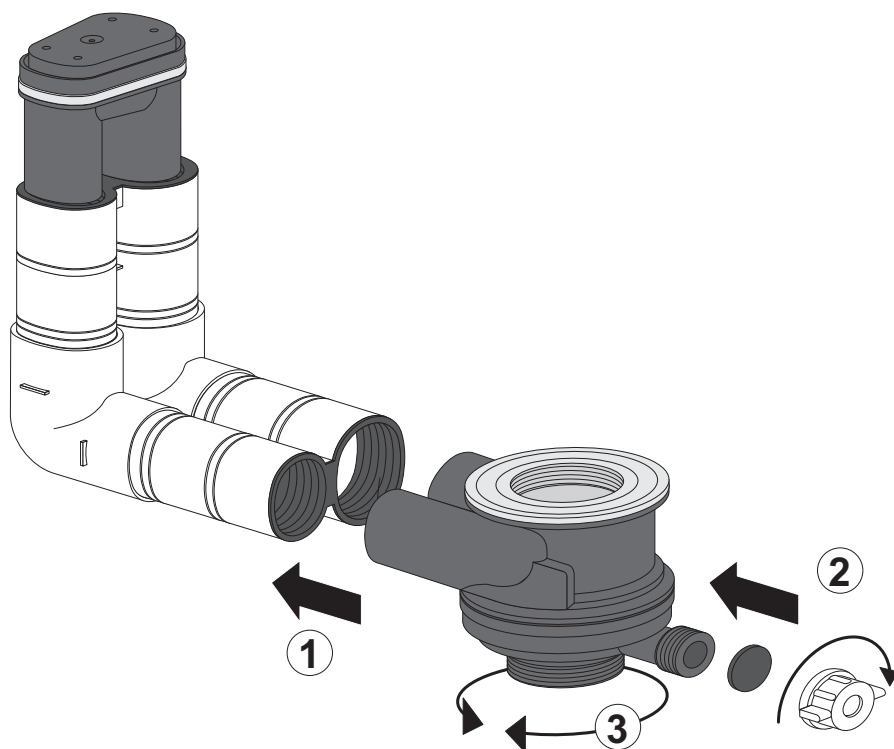
1



2

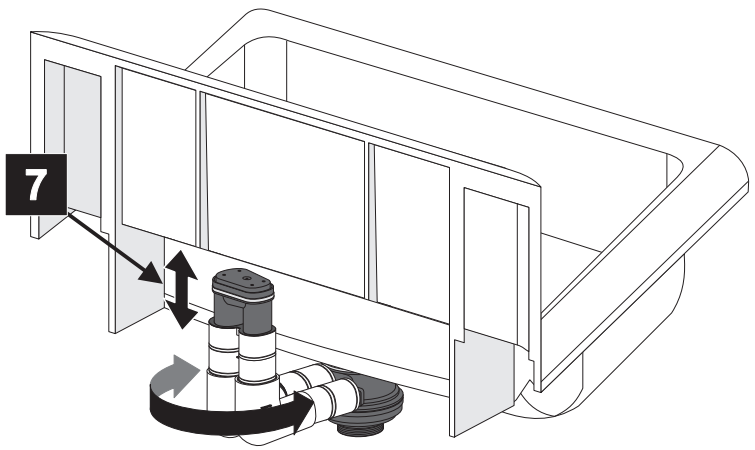
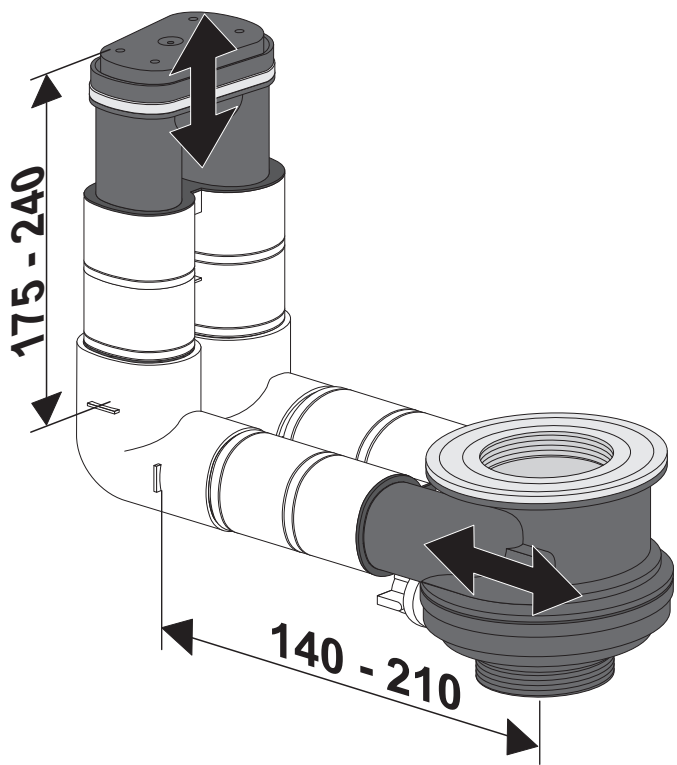


3



4

A



B

