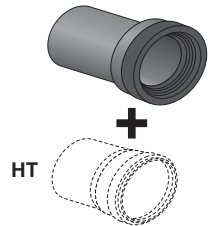
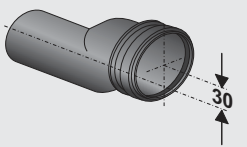
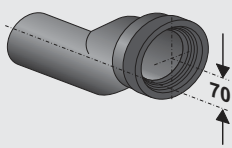
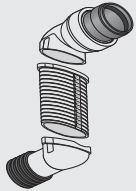

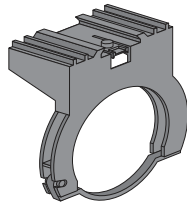
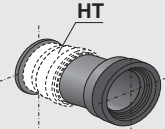
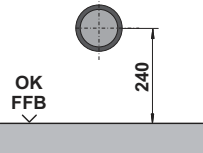

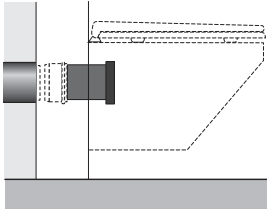
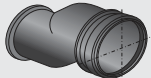
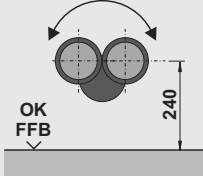

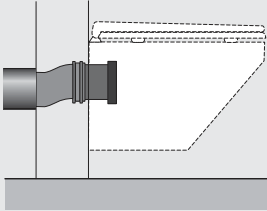
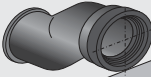
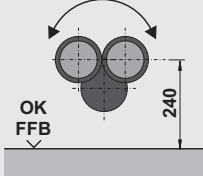

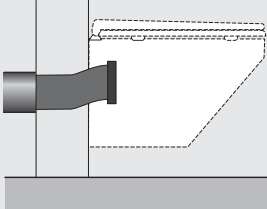
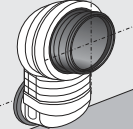
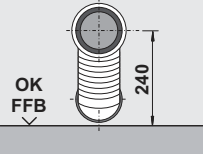

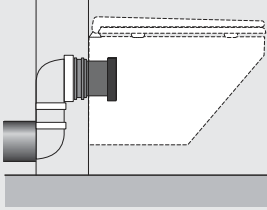

	X 1	X 2	X 3
A	240	≤ 130	
			
B	230 220 210	≤ 20	
	Art. 58.121.00..0000 		
C	200 190 180 170	≤ 20	
	Art. 58.940.00..0000 		
D	160 ↑ 55	≤ 5	
	Art. 58.119.00..0000 		
E			



A 			
B Art. 58.121.00..0000 			
C Art. 58.940.00..0000 			
D Art. 58.119.00..0000 			
E 