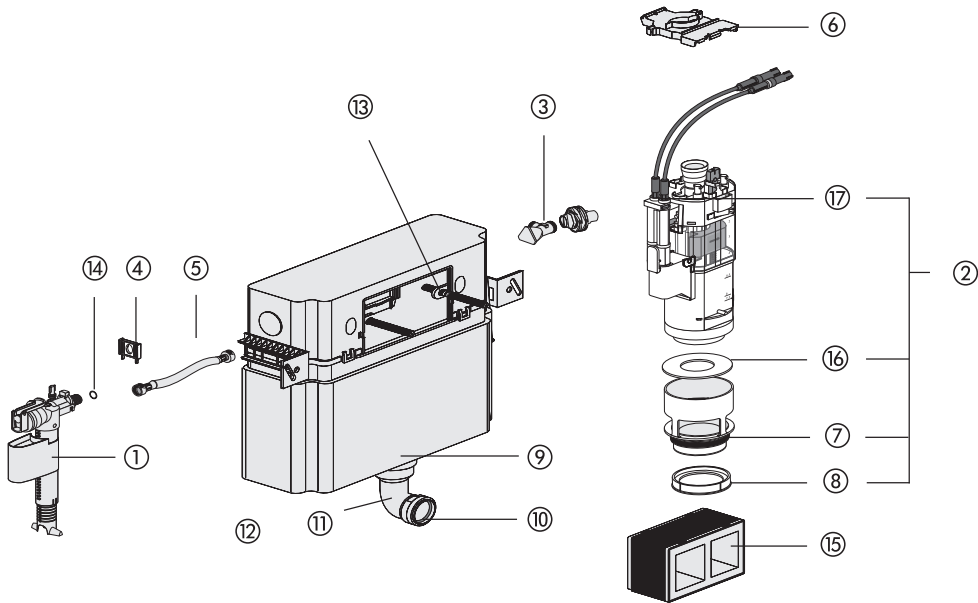


**DISCONTINUED PRODUCT – Concealed cistern 983N, CC-150-S-UO(FO)-2V-2C,
with small access opening**



No.	Name	Code No.	Recommended price/€
1	Universal fill valve 510, G ¾ x 30 mm	25.001.00..0000	
2	Universal flush valve INEO	03.982.00..0000	
3	Angle valve G ½	02.425.00..0000	
4	Fill valve support	02.759.00..0000	
5	Flexible hose DN6 280 mm	05.266.00..0000	
6	Positioning device	02.749.00..0000	
7	O-Ring d: 55 x 5	02.436.00..0000	
8	Flush flow reducer	02.758.00..0000	
9	O-Ring d: 49 x 6	02.753.00..0000	
10	Lip seal d: 45	02.461.00..0000	
11	Flush pipe with O-Ring (install. height 985)	01.234.00..0000	
12	Flush pipe with O-Ring (install. height 820)	01.236.00..0000	
13	Toggle	02.972.00..0000	
14	O-Ring d: 8 x 1.5 for flexible hose	04.024.00..0000	
15	Pretection box with EPS-core	16.031.00..0000	
16	Sealing ring d: 31 x d: 63 x 2.8	02.754.00..0000	
17	Cable box	05.019.00..0000	
18 *	Start/stop set	03.999.00..0000	

* no illustration, see page 122