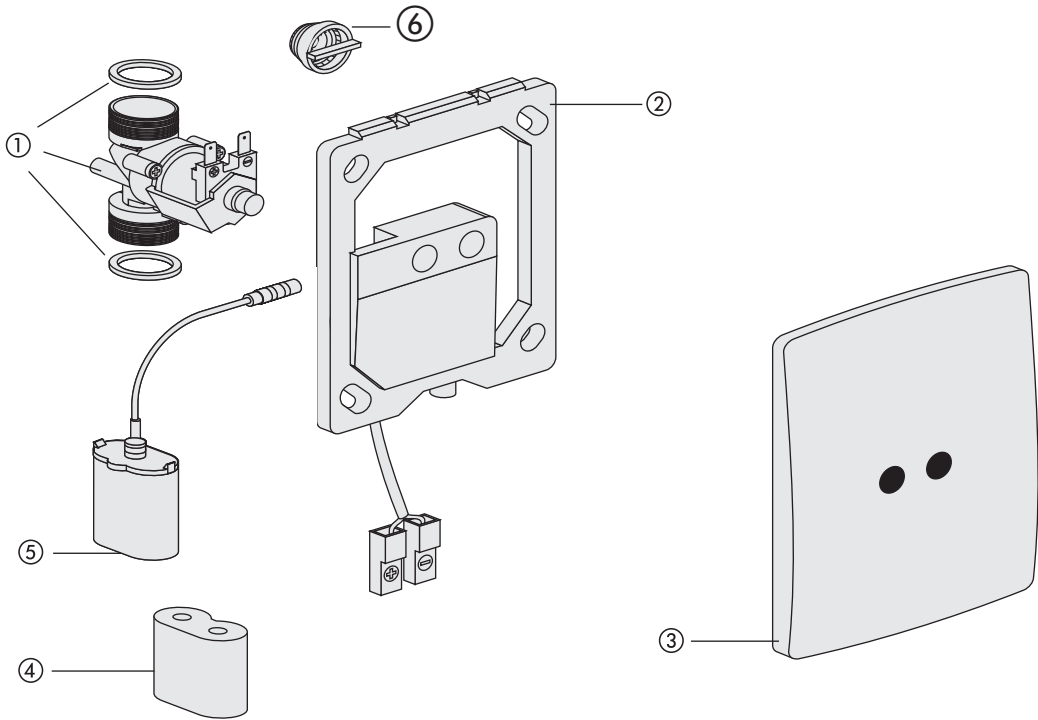


DISCONTINUED PRODUCT – Urinal cover plate for INFRA 6V battery (APIS 5 SM)

(Code No. 16.046.00..0000) (from 2002 to 2008)



No.	Name	Code No.	Recommended price/€
1	Solenoid valve 6V DC G 3/4 AG, BL 61 mm, incl. 2 seals	03.108.00..0000	
2	Infrared electronics 6V DC	03.116.00..0000	
3	Stainless steel cover 120 x 150 x 16 mm	03.117.00..0000	
4	Lithium battery 6V DC, CR P 2	02.993.00..0000	
5	Battery holder for battery CR P 2	03.109.00..0000	
6	Filter	03.051.00..0000	